

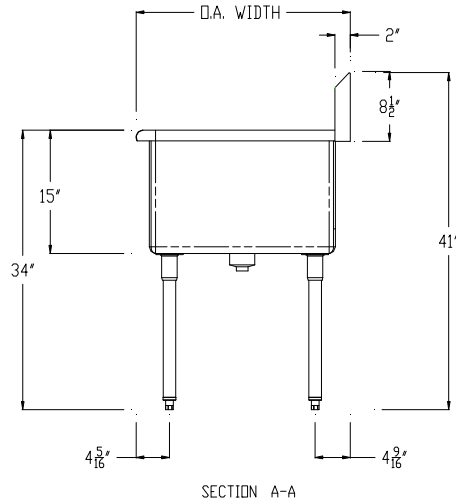
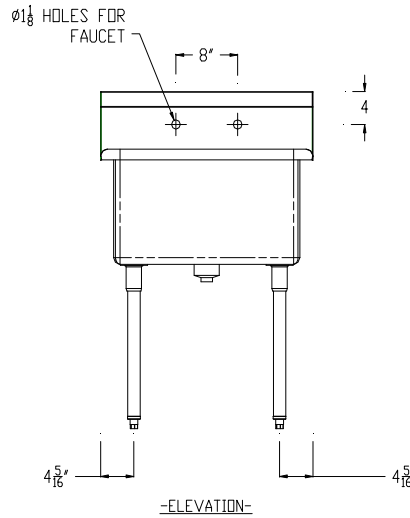
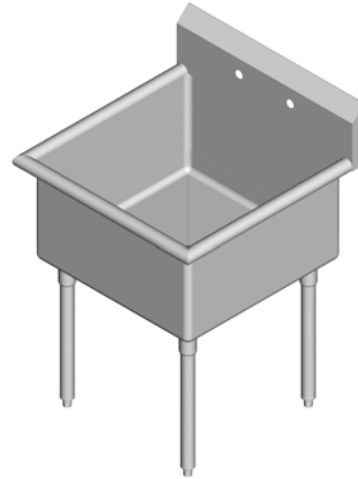
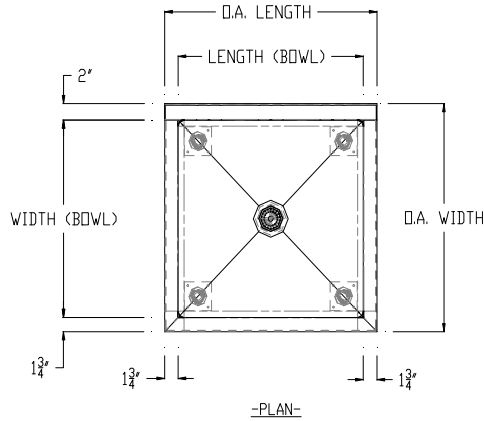


SINGLE COMPARTMENT SINKS W/ NO DRAINBOARD

PROJECT#: _____

ITEM# _____

MODEL# _____



| SINGLE COMPARTMENT SINKS W/ NO DRAINBOARD | | | | | | | |
|---|-----|-----------------------------|--------------|-------------|------------|----------------|-----------------------|
| MODEL# | QTY | PRODUCT DIMENSIONS (INCHES) | | | | | SHIPPING WEIGHT (LBS) |
| | | LENGTH (BOWL) | WIDTH (BOWL) | O.A. LENGTH | O.A. WIDTH | OVERALL HEIGHT | |
| C-1-1818 | | 18" | 18" | 21 1/2" | 21 3/4" | 41" | 49 |
| C-1-2424 | | 24" | 24" | 27 1/2" | 27 3/4" | 41" | 68 |
| C-1-3024 | | 30" | 24" | 33 1/2" | 27 3/4" | 41" | 79 |

SINK SPECIFICATIONS:

TOP: 16 GA. 300 Series Stainless Steel

SINK BOWLS: 16 GA. 300 Series Stainless Steel

LEGS: 1 5/8" Diameter Stainless Steel Tubing

CONSTRUCTION:

- ◆ Fully welded, Seamless, Polished to #4 Finish
- ◆ Sink Top has 3/4" Formed Radius with 1 3/4" 180 Degree Roll on Front and Ends
- ◆ S/S Adjustable Bullet Feet
- ◆ Crumb Cup Drain 1 1/2" IPS
- ◆ 8" On Center Faucet Holes
- ◆ Ships with (1) Wall Mount "Z" Clip
- ◆ Integral 10" Tall Backsplash