

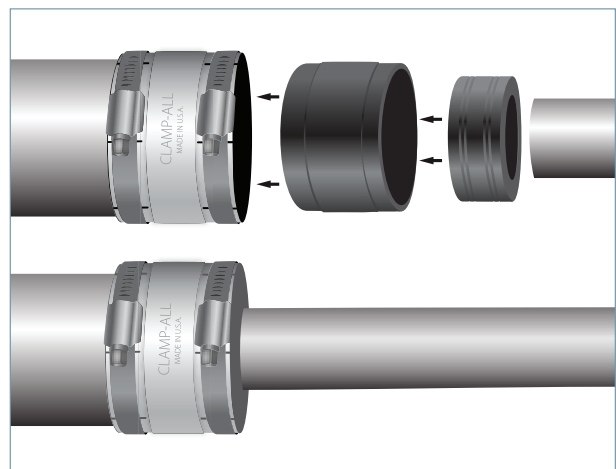
# SNAP-ALL® Transition Bushings

The fastest way to DWV transitions



Snap-All Increaser/Reducer Transition bushings from **Clamp-All®** are the easiest and fastest way to make transitions between pipes of different diameters and/or materials. From ¾" copper to 10" hubless cast iron, clay, plastic or steel, Snap-All bushings take the hassle out of any DWV transition.

- Snap-All bushings are convenient. Use them on one side or both sides of the coupling, for permanent or emergency installations, even with a blind plug as a cap.
- Snap-All's unique design allows it to be used with either the Clamp-All HI-TORQ 80 or HI-TORQ 125 couplings.
- Snap-All transition bushings bring the advantages of a high strength shielded coupling to any DWV transition:
- The outer grooves of the bushing nest into the HI-TORQ coupling gaskets or to other Snap-All bushings to provide an interlocking water tight, gas tight seal.
- Bushings are one piece molded neoprene, the same high quality, material used for HI-TORQ coupling gaskets.
- Snap-All bushings are designed for use where pipes of different materials or sizes must be connected in DWV applications. From 10" hubless cast iron, plastic, or steel pipe all the way down to ¾" copper, every transition is easily made simply by nesting one size bushing into a coupling gasket or another bushing.



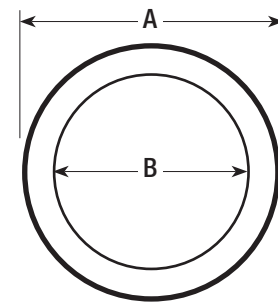
## Snap-All Bushings . . . for reliable transition of materials

The Snap-All Increaser/Reducer transition bushings used in conjunction with Clamp-All couplings are the easiest and fastest way to make transitions from DWV pipes of different diameters or materials. They are specifically designed for use where pipes from 3/4" to 10" of different sizes and/or materials must be connected.

Selection is easy. Simply choose the bushing that fits inside the Clamp-All coupling being used. For example to reduce down from a 5" pipe to a 4" pipe, snap a #20054 bushing into a 5" coupling. This simple transition is all that is required to join cast iron, plastic or steel pipe of two different diameters. For smaller pipes, several bushings can be nested together to create the transition that is needed. Bushing #20043 will nest inside the 5x4 bushing and receive 3" pipe. Note that transitions to copper pipe must end with the specific bushing for that size copper. Snap-All bushings part numbers 30022, 30033 and 30044 can be used to join extra heavy cast iron soil pipe to hubless pipe and fittings. Refer to the chart on this page for ordering information.

## Engineering & Ordering Information

| Snap-All Part Number | Snap-All Bushing Size | A Diameter Fits Inside |                  | B Diameter Fits Outside |              |
|----------------------|-----------------------|------------------------|------------------|-------------------------|--------------|
|                      |                       | Clamp-All Coupling     | Snap-All Bushing | Pipe Size               | Material     |
| 31575                | 1 1/2 x 3/4cu         | 1 1/2                  | 2x1 1/2          | 3/4                     | Copper       |
| 30151                | 1 1/2 x 1cu           | 1 1/2                  | 2x1 1/2          | 1                       | Copper       |
| 31512                | 1 1/2 x 1 1/4cu       | 1 1/2                  | 2x1 1/2          | 1 1/4                   | Copper       |
| 31515                | 1 1/2 x 1 1/2cu       | 1 1/2                  | 2x1 1/2          | 1 1/2                   | Copper       |
| 30215                | 2x1 1/2cu             | 2                      | 3x2              | 1 1/2                   | Copper       |
| 20215                | 2x1 1/2               | 2                      | 3x2              | 1 1/2                   | Cl, STL, PVC |
| 30022                | 2x2cu                 | 2                      | 3x2              | 2                       | Copper, XHCl |
| 30032                | 3x2cu                 | 3                      | 4x3              | 2                       | Copper       |
| 20032                | 3x2                   | 3                      | 4x3              | 2                       | Cl, STL, PVC |
| 30033                | 3x3cu                 | 3                      | 4x3              | 3                       | Copper, XHCl |
| 30043                | 4x3cu                 | 4                      | 5x4              | 3                       | Copper       |
| 20043                | 4x3                   | 4                      | 5x4              | 3                       | Cl, STL, PVC |
| 30044                | 4x4cu                 | 4                      | 5x4              | 4                       | Copper, XHCl |
| 20054                | 5x4                   | 5                      | 6x5              | 4                       | Cl, STL, PVC |
| 20065                | 6x5                   | 6                      | 8x6              | 5                       | Cl, STL, PVC |
| 50064                | 6x4ECC                | 6                      | 8x6              | 4                       | Cl, STL, PVC |
| 20086                | 8x6                   | 8                      | 10x8             | 6                       | Cl, STL, PVC |
| 20875                | 8x7 1/2cu             | 8                      | -                | 6                       | Clay         |
| 20108                | 10x8                  | 10                     | -                | 8                       | Cl, STL, PVC |
| 21095                | 10x8                  | 10                     | -                | 8                       | Clay         |



| Nominal Outside Pipe Diameter |                   |       |                    |                |      |            |
|-------------------------------|-------------------|-------|--------------------|----------------|------|------------|
| Pipe Size                     | Hubless Cast Iron | Steel | Schedule 40-80 PVC | SDR-35 Plastic | Clay | Copper DWV |
| 1 1/4                         | -                 | -     | -                  | -              | -    | 1.375      |
| 1 1/2                         | 1.90              | 1.90  | 1.90               | -              | -    | 1.625      |
| 2                             | 2.35              | 2.38  | 2.38               | -              | -    | 2.125      |
| 3                             | 3.35              | 3.38  | 3.38               | -              | -    | 3.125      |
| 4                             | 4.38              | 4.50  | 4.50               | 4.215          | 5.37 | 4.125      |
| 5                             | 5.30              | 5.56  | 5.56               | -              | 6.65 | 5.125      |
| 6                             | 6.30              | 6.63  | 6.63               | 6.28           | 7.50 | 6.125      |
| 8                             | 8.38              | 8.63  | 8.63               | 8.40           | -    | -          |
| 10                            | 10.56             | 10.75 | 10.75              | 10.50          | -    | -          |

Note: All sizes in the charts are in nominal inches



For information, technical support or to order . . . call or email:  
 Clamp-All Products • 325 W. Silverbell Rd. Suite 230 Lake Orion, MI 48359  
 TOLL FREE: 855-NORMA2U (667-6228) • FAX: 248-373-3068 • www.ClampAll.com  
 E-mail: Norma2u@normagroup.com



2-7H-6-140718-US