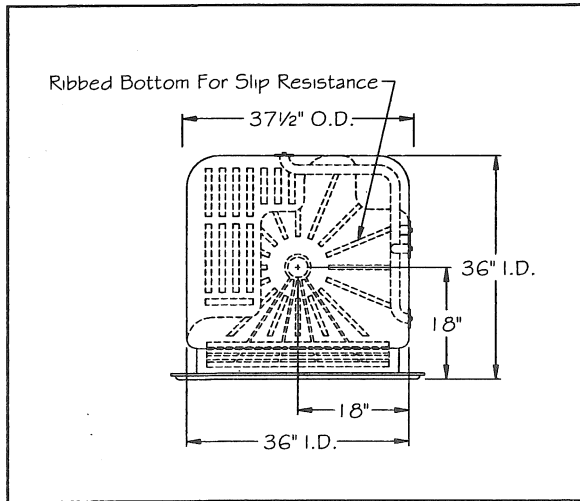




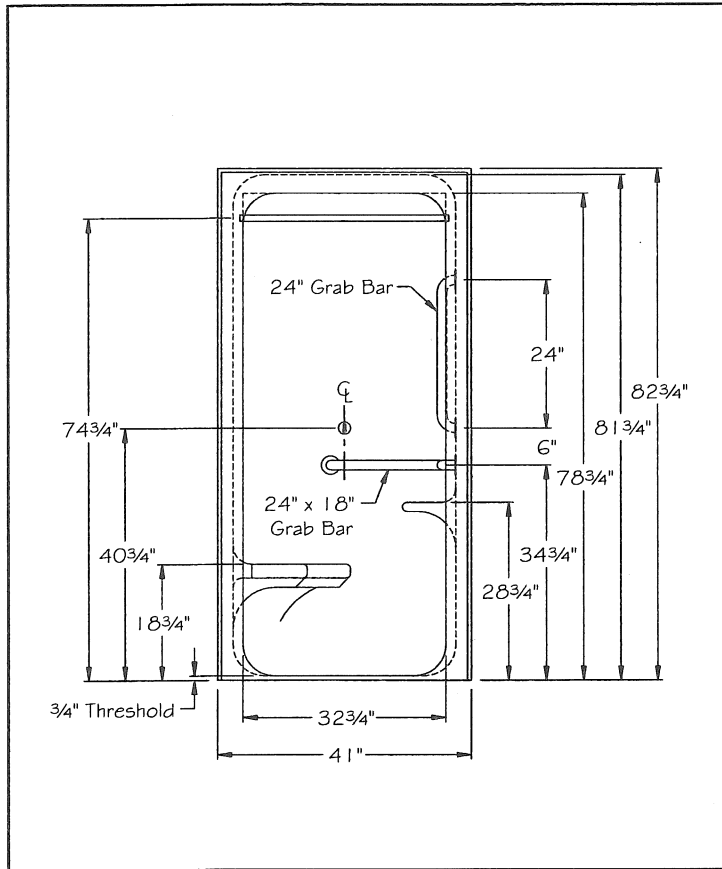
AQUA BATH

For additional information, call the
Aqua Bath Customer Service
Department At 1-800-232-2284

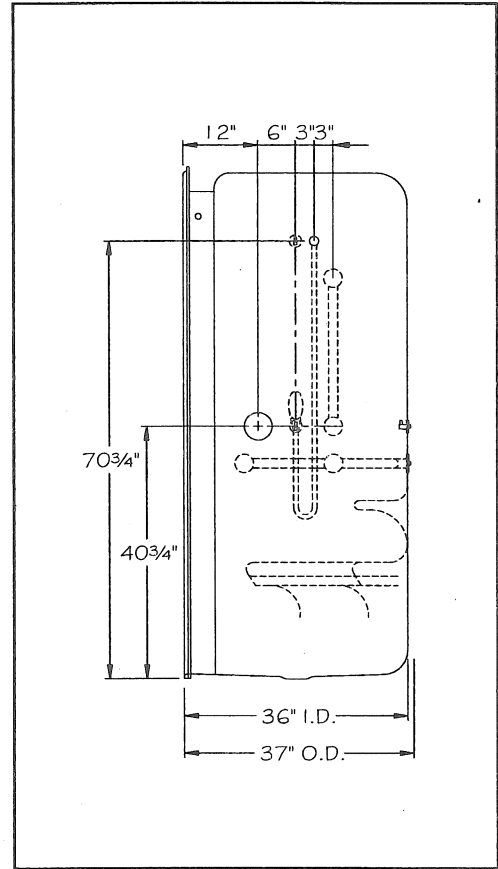
**Accessible Series
Submittal Data
IS4136BF 3/4"**



Top View - Right Hand Shown



Front View



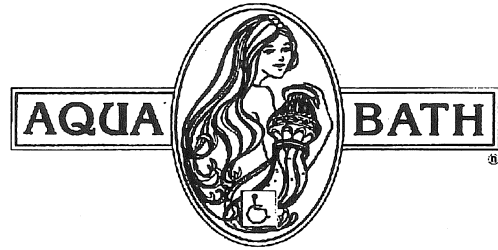
Right Side View

Installation: Detailed installation instructions are contained in this catalog, and provided with each unit shipped. The field installation instructions must be followed as directed or may void manufacturers warranty.

Reference installation instructions for IS4136BF 3/4".

ACCESSIBLE SERIES

- **Model IS4136BF 3/4"-L** valve on left.
- **Model IS4136BF 3/4"-R** valve on right.
- Bath units designed for hospitals, nursing homes, rehabilitation centers, hotels, motels and residential applications.
- Acrylic one-piece molded construction simplifies installation.
- Inside dimensions: 36" W x 36" D x 78" H.
- Includes stainless steel grab bars with mounting plates and curtain rod.
- Can be furnished complete with valve, hand held shower set, curtain and hooks.
- Barrier-Free Shower System, U.S. Patent No.6,178,571 B1.
- 2" threshold for pit detail installation.
- 3/4" threshold for top of slab installation.
- 24" vertical grab bar and 24" x 18" x 1 1/2" wrap grab bar.
- Shower brackets.



For additional information, call the Aqua Bath Customer Service Department At 1-800-232-2284

The IS4136BF 3/4", as shown, is **NOT** ADA compliant. Please see Aqua Bath's full line of ADA compliant showers and tub/shower units. Please check with your local city and state for code compliancy. Aqua Bath accepts no responsibility for final code compliance.

TRANSFER SHOWER STALL

The shower enclosure shall be Aqua Bath model **IS4136BF 3/4"** acrylic and be molded from a single sheet so as not to have any joints or seams, shall meet ANSI Z124.2. Unit shall have a backside flame spread of less than 30 (Class B). Shall be designed to be **NAHB LISTED**. The enclosure shall have inside dimensions of 36" W x 36" D x 78" H and outside dimensions of 41" W x 37" D x 82 3/4" H. The option of a factory installed fold-up seat adds 3/4" to outside dimensions. The enclosure has a seat molded on the side opposite the shower fitting to be 18" above the shower floor. A soap tray shall be molded in the corner 28" above the floor. The unit shall be formed with a patented recessed trench system so as to direct water to the center drain. The approximate weight of the unit shall be 230lbs.

The enclosure shall be pre-drilled and equipped with the following factory installed accessories: **1) One 24" x 18" x 1 1/2" diameter, 18 gauge stainless steel wrap around grab bar and one 24" straight grab bar with 1 1/2" safety statute clearance, mounted with stainless steel bolts and secured from the rear with 3" x 3" x 11 gauge metal mounting plates. 2) One wall bracket installed at 40" above floor in the center of back wall and two wall brackets installed at 40" and 70" above the floor on valve wall for hand held shower set. 3) 1" diameter 18 gauge stainless steel curtain rod. After grab bars, curtain rod and wall brackets have been factory installed, they will be sealed from the backside making the unit completely waterproof. 4) Ribbed bottom for slip resistance (standard). 5) Self-caulking brass drain with stainless steel strainer (not installed).**

AVAILABLE OPTIONS

- 1) a) Factory installed fold-up seat. b) Factory installed convertible / removable fold-up seat.
- 2) Hand held shower set (includes 60" flex hose, swivel connector, brass nipple, lock nut, wall outlet and vacuum breaker).
- 3) 24" or 30" slide bar. 4) Pressure balance or thermostatic control valve. 5) Shower curtain - antibacterial, with hooks.
- 6) Weighted shower curtain (patented), antibacterial, with hooks. 7) Seat belt. 8) Dial thermometer.
- 9) Factory drilled for dome light (light shipped separately). 10) **ASTM F462 non-slip bottom.**
- (* **When the ASTM F462 bottom is specified with the center drain location, it will re-configure the trench drain system. A signed off approval is required for the bottom re-configuration.**

Modifications:

Received and / or approved by:

IS4136BF 3/4"

02/05