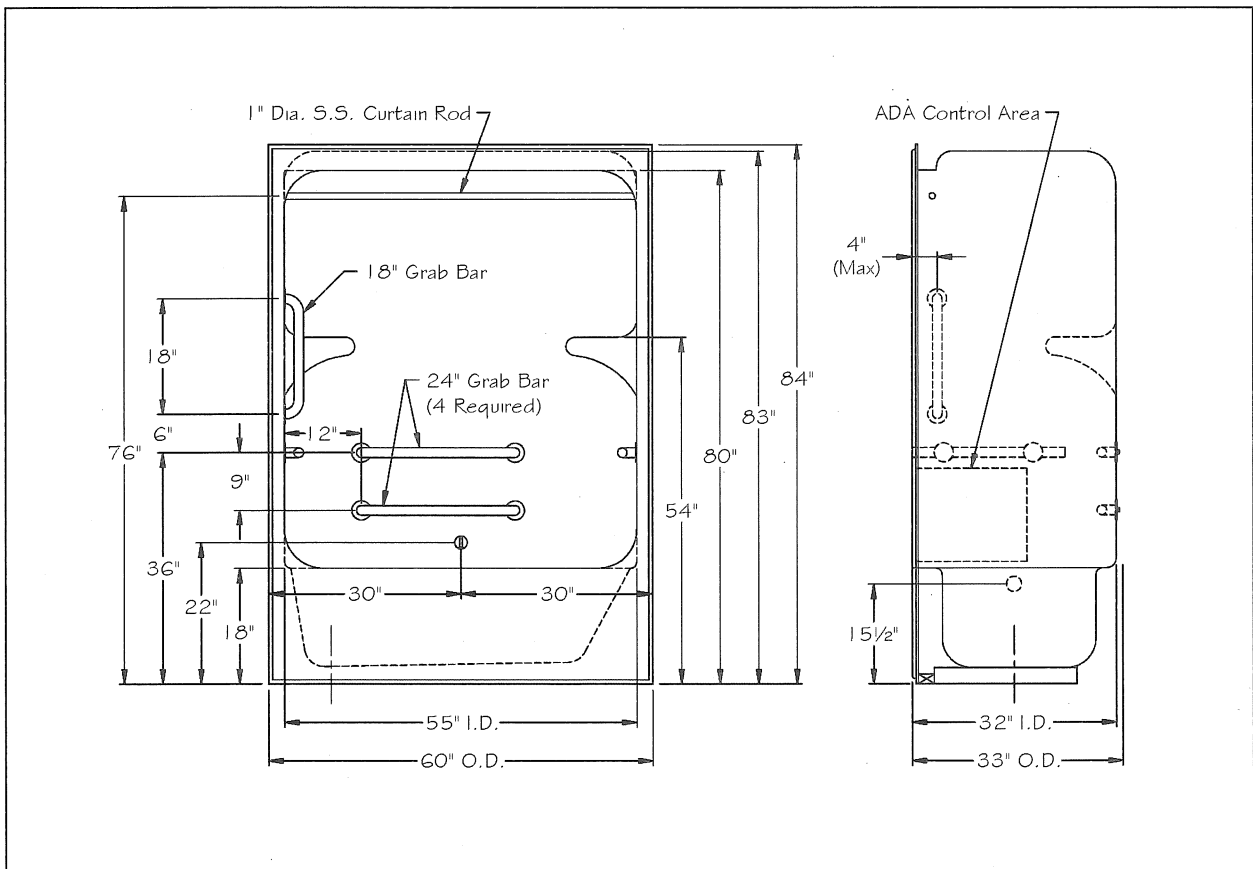


Top View - Left Hand Shown

For additional information, call the
Aqua Bath Customer Service
Department At 1-800-232-2284

Care Series
ADA Compliant
Submittal Data
C6032TS



Front View and Right Side View

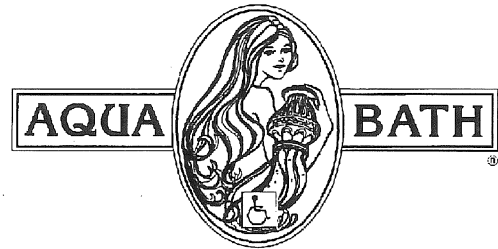
Note: Manufacturing Tolerance Of ($\pm 1/4"$) Due To The Nature Of The Materials Used

Installation: Detailed installation instructions are contained in this catalog, and provided with each unit shipped. The field installation instructions must be followed as directed or may void manufacturers warranty.

Reference installation instructions for C6032TS.

CARE SERIES

- **Model C6032TS-L** valve on left.
- **Model C6032TS-R** valve on right.
- Bath units designed for hospitals, nursing homes, rehabilitation centers, hotels, motels and residential applications.
- Meets ANSI A117.1, ADA Guidelines and other standards for accessibility
- Acrylic one-piece molded construction simplifies installation.
- Inside dimensions: 55" W x 32" D x 78" H.
- Includes stainless steel grab bars with mounting plates and curtain rod.
- Can be furnished complete with valve, hand held shower set, curtain and hooks, waste and overflow and tub fill spout.
- **Seat required to comply with ADA: Seat Options**
 - 1) Lift out seat.
 - 2) Factory installed fold-up seat.
- **Vacuum-formed from .1875" one-piece sanitary grade acrylic.**
- *Manufacturing Tolerance Of (1/4") Due To The Nature Of The Materials Used.*



For additional information, call the Aqua Bath Customer Service Department At 1-800-232-2284

Please check with your local city and state for code compliancy. Aqua Bath's advertised ADA compliant units are based on our interpretation of the Americans with Disabilities Act 1991 Guidelines. Field alterations or improper installation could take the units out of compliance. Aqua Bath accepts no responsibility for final code compliance.

Tub / Shower

The tub enclosure shall be Aqua Bath model **C6032TS acrylic** and be molded from a single sheet so as not to have any joints or seams, shall meet ANSI Z124.1. Shall meet ADA guidelines and other standards for accessibility. Unit shall have a backside flame spread of less than 30 (Class B). Shall be designed to be **ADA COMPLIANT and NAHB LISTED**. The enclosure shall have inside dimensions of 55" W x 32" D x 78" H and outside dimensions of 60" W x 33" D x 84" H. The approximate weight of the unit shall be 275lbs.

Standard Accessories:

- 1) Two 24" (on back wall), two 24" (one on each end wall) and one 18" vertical, 1½" diameter 18 gauge stainless steel grab bars with 1½" safety statute clearance, mounted with stainless steel bolts and secured from the rear with 3" x 3" x 11 gauge metal mounting plates.
- 2) 1" diameter, 18 gauge stainless steel curtain rod. After grab bars and curtain rod have been factory installed, they will be sealed from the backside making the unit completely waterproof.
- 3) Ribbed bottom for slip resistance (standard).
- 4) Two soap trays molded 52" above floor on back wall and one soap tray at dam level on center of back wall.

Available Accessories:

- 1) **Seat required in ADA units;** a) Removable lift out seat. b) Factory installed fold-up seat.
 - 2) Hand held shower set (includes 60" flex hose, swivel connector, brass nipple, lock nut, wall outlet and vacuum breaker).
 - 3) 24" slide bar, 30" slide bar or two (2) wall brackets installed on valve wall for use with hand held shower set.
- Note: The determination of the use of slide bar or wall brackets to be installed in the unit is based upon the valve package chosen by the specifier for use in the unit. Aqua Bath recommends the use of a slide bar as an accessory in the unit rather than the use of a glide bar / glide rail.**
- 4) Pressure balance or thermostatic control valve.
 - 5) Waste and overflow.
 - 6) Shower curtain - antibacterial, with hooks.
 - 7) Diverter spout.
 - 8) **ASTM F462 non-slip bottom.**
 - 9) Dome light, (factory drilled only, must be field installed & light shipped separately from unit).

Modifications:

Received and / or approved by:

Name: _____

Company: _____

Title: _____

Phone: _____

Date: _____