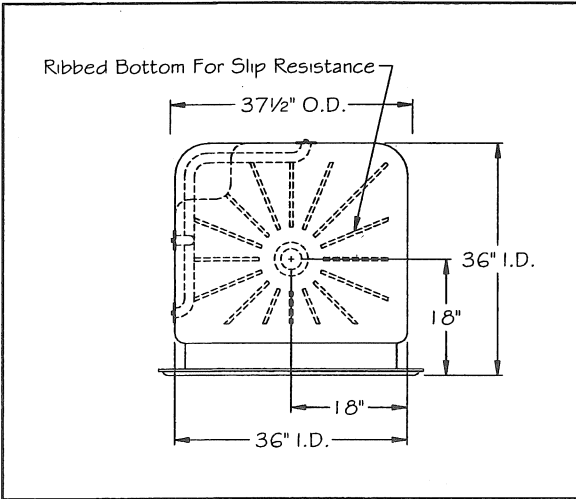




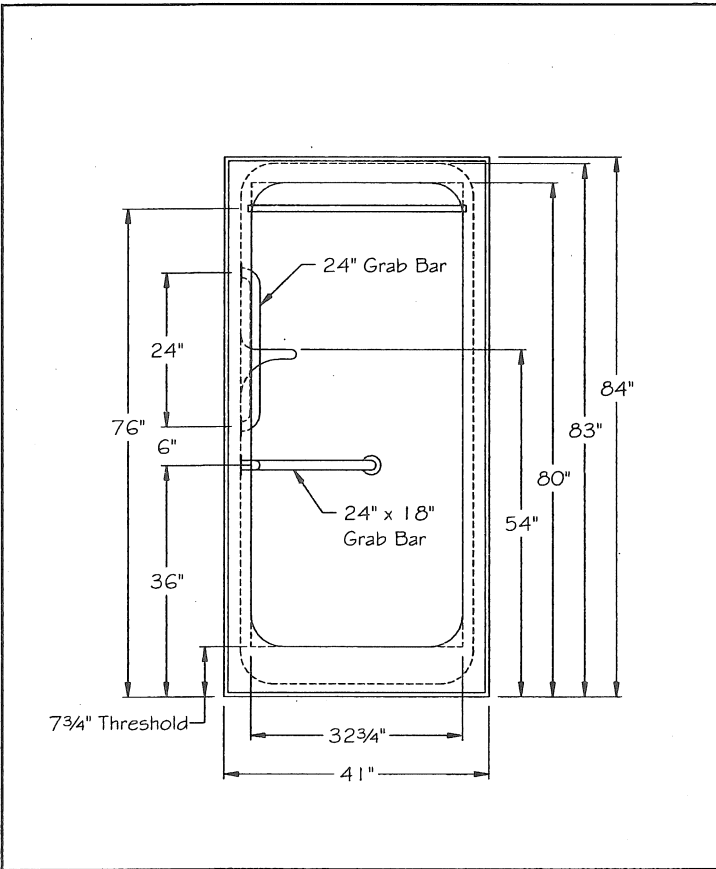
**AQUA BATH**

For additional information, call the  
Aqua Bath Customer Service  
Department At 1-800-232-2284

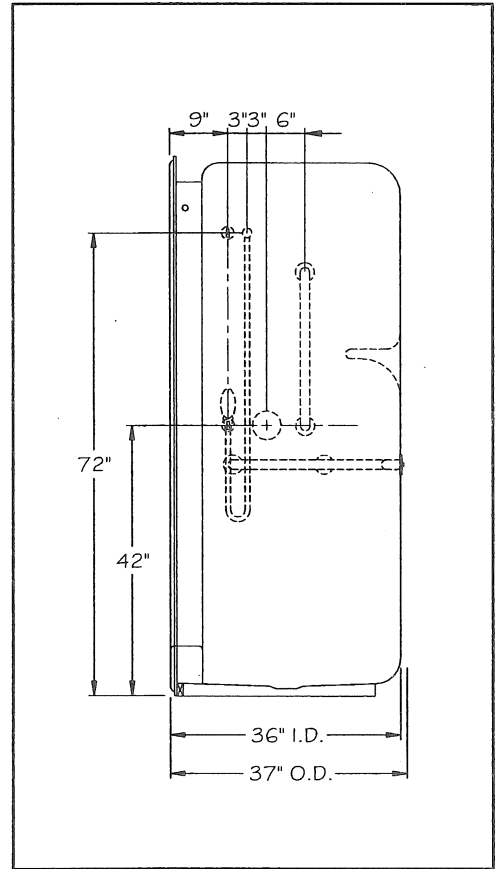
**Accessible Series  
Submittal Data  
IS4136SH 7<sup>3</sup>/<sub>4</sub>"**



*Top View - Left Hand Shown*



*Front View*



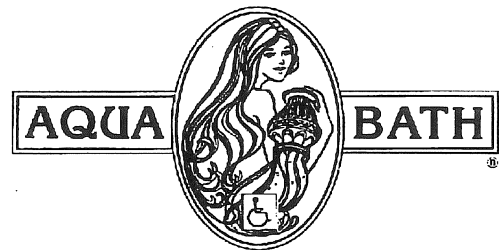
*Right Side View*

**Installation:** Detailed installation instructions are contained in this catalog, and provided with each unit shipped. The field installation instructions must be followed as directed or may void manufacturers warranty.

Reference installation instructions for IS4136SH7<sup>3</sup>/<sub>4</sub>".

### ACCESSIBLE SERIES

- **Model IS4136SH 7¾"-L** valve on left.
- **Model IS4136SH 7¾"-R** valve on right.
- Bath units designed for hospitals, nursing homes, rehabilitation centers, hotels, motels and residential applications.
- Acrylic one-piece molded construction simplifies installation.
- Inside dimensions: 36" W x 36" D x 78" H.
- Includes stainless steel grab bars with mounting plates and curtain rod.
- Can be furnished complete with valve, hand held shower set, curtain and hooks.
- 7 3/4" threshold, also available with 4" threshold
- 24" vertical grab bar and 24" x 18" x 1½" wrap grab bar.
- Shower brackets.



**For additional information, call the  
Aqua Bath Customer Service  
Department At 1-800-232-2284**

The IS4136SH 7¾", as shown, is **NOT** ADA compliant. Please see Aqua Bath's full line of ADA compliant showers and tub/shower units. Please check with your local city and state for code compliance. Aqua Bath accepts no responsibility for final code compliance.

### ACRYLIC SHOWER STALL

The shower enclosure shall be Aqua Bath model IS4136SH 7¾" acrylic and be molded from a single sheet so as not to have any joints or seams, shall meet ANSI Z124.2. Unit shall have a backside flame spread of less than 30 (Class B). Shall be designed to be NAHB LISTED. The enclosure shall have inside dimensions of 36" W x 36" D x 78" H and outside dimensions of 41" W x 37" D x 84" H. The option of a factory installed fold-up seat adds ¾" to outside dimensions. A soap tray shall be molded in the corner 54" above the floor. The unit shall be formed with a patented recessed trench system so as to direct water to the center drain. The approximate weight of the unit shall be 230lbs.

The enclosure shall be pre-drilled and equipped with the following factory installed accessories: 1) One 24" x 18" x 1½" diameter, 18 gauge stainless steel wrap around grab bar and one 24" straight grab bar with 1½" safety statute clearance, mounted with stainless steel bolts and secured from the rear with 3" x 3" x 11 gauge metal mounting plates. 2) Two wall brackets installed at 40" and 70" above the shower floor on valve wall for hand held shower set. 3) 1" diameter 18 gauge stainless steel curtain rod. After grab bars, curtain rod and wall brackets have been factory installed, they will be sealed from the backside making the unit completely waterproof. 4) Ribbed floor for slip resistance. 5) Self-caulking brass drain with stainless steel strainer (not installed).

### AVAILABLE OPTIONS

- 1) a) Factory installed fold-up seat. b) Factory installed convertible / removable fold-up seat.
- 2) Hand held shower set (includes 60" flex hose, swivel connector, brass nipple, lock nut, wall outlet and vacuum breaker).
- 3) 24" or 30" slide bar. 4) Pressure balance or thermostatic control valve. 5) Shower curtain - antibacterial, with hooks.
- 6) Weighted shower curtain (patented), antibacterial, with hooks. 7) Seat belt. 8) Dial thermometer.
- 9) Factory drilled for dome light (light shipped separately).
- 10) Available with 4" threshold to better accommodate assisted living projects.

**Modifications:**

**Received and / or approved by:**

IS4136SH 7¾"

02/05

◆AQUA BATH COMPANY INC.◆921 Cherokee Ave.◆Nashville, TN 37207◆1-800-232-2284◆Fax (615) 227-9446◆

◆[www.aquabath.com](http://www.aquabath.com)◆